

Merica Series-MPA100

Probe

MPA-100-V-10G



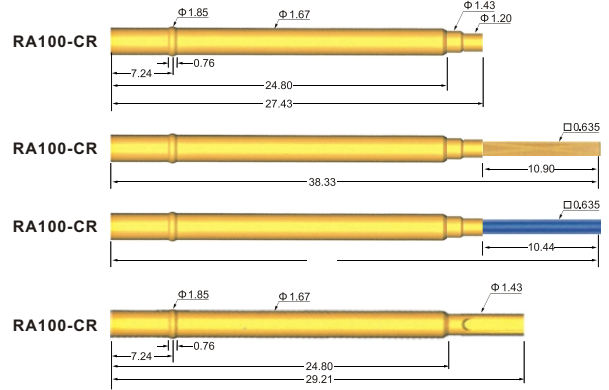
Technical Specifications

Recommended Minimum Center	:2.54mm(100mil)
Current Rating	:3amps, continuous
Contact Resistance	:30milliohms
Full Stroke	:6.35mm
Rated Stroke	:4.30mm
Spring Force	:156/203/255/284/312gf (5.5/7.2/9/10/11 oz)

Materials

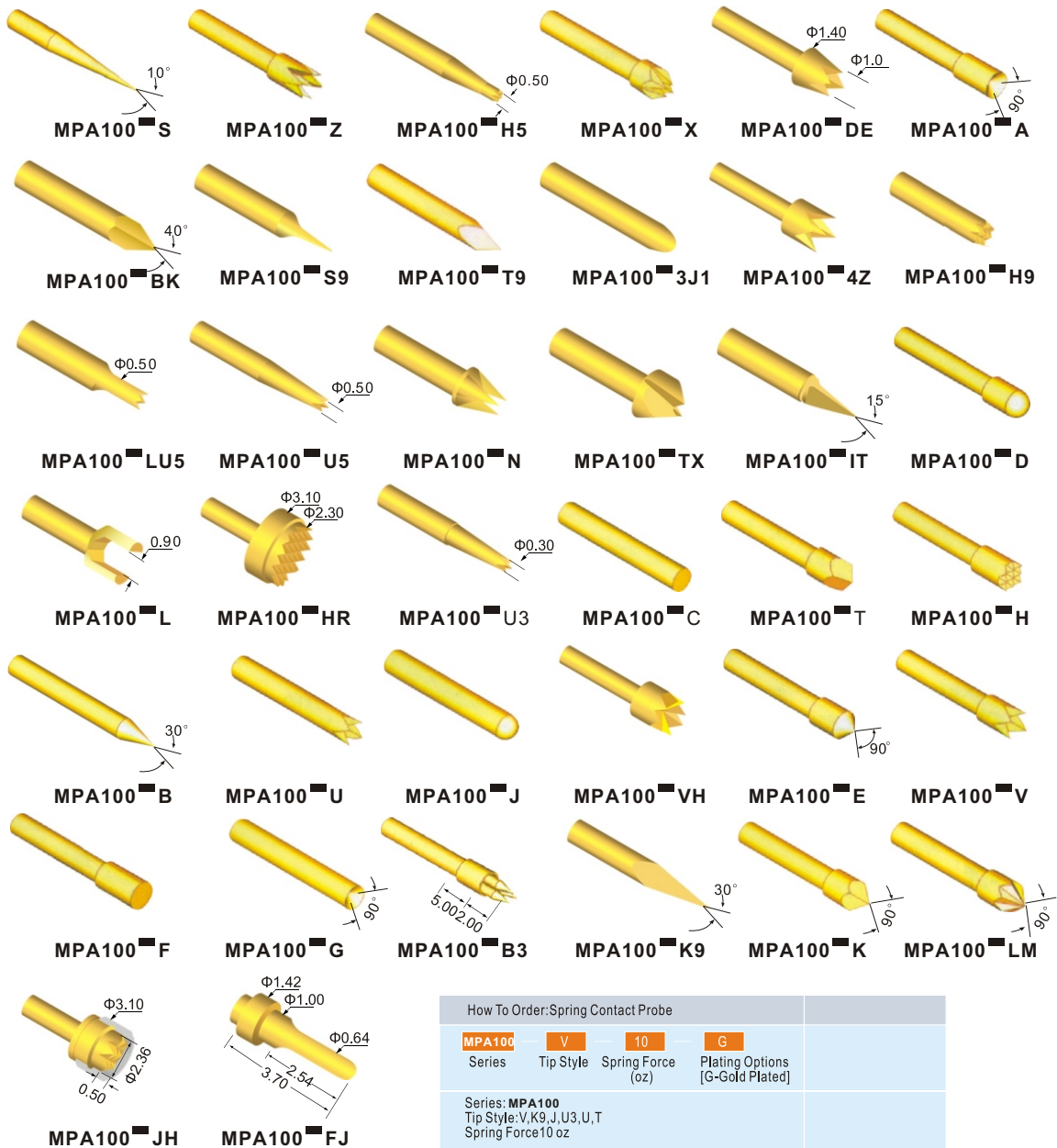
Receptacle	:Brass, Gold Plated
Contact Barrel	:Brnze, Gold Plated
Spring	:Music Wire, Gold Plated
Plunger	:BeCu or Steel, Rhodium Plated or Gold Plated

Receptacle



Tip Styles

Test Centers– 100mil(2.54mm)



How To Order: Spring Contact Probe			
MPA100	V	10	G
Series	Tip Style	Spring Force (oz)	Plating Options [G-Gold Plated]
Series: MPA100 Tip Style: V, K9, J, U3, U, T Spring Force: 10 oz			