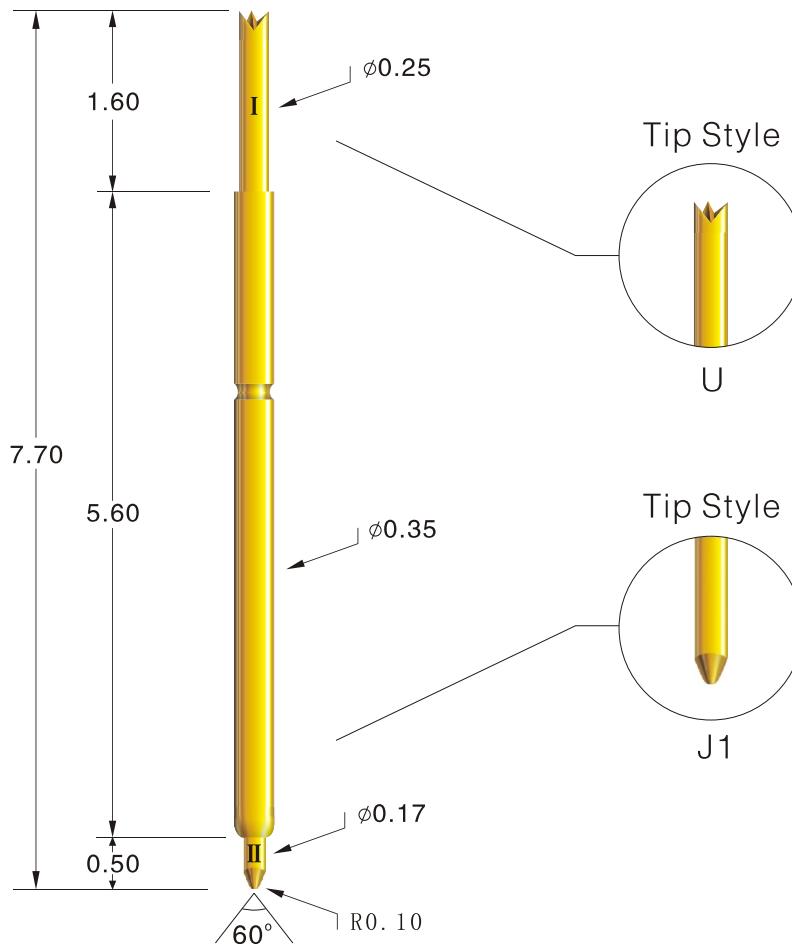


Pitch 0.45mm

# MHCP035-J1U-77-G



### Mechanical Spec.

Full Stroke	1.00mm
Rated Stroke	0.50mm
Spring Force	18gf @ Load 0.50mm

### Electrical Spec.

Current Rating	0.3 A, Continuous
Bandwidth	2.85GHz @ - 1dB
Propagation Delay	40ps

### Materials

Barrel	Phosphor Bronze , Gold Plated.
Plunger	Full-Hard Beryllium Copper. Gold Plated.
Spring	Music Wire, Gold Plated

## How to Order: MHCP035-J1U-77G

a b c d e g

- a, Series
- b, Size
- c, Tip Style II
- d, Tip Style I
- e, Total Length
- g, Plating