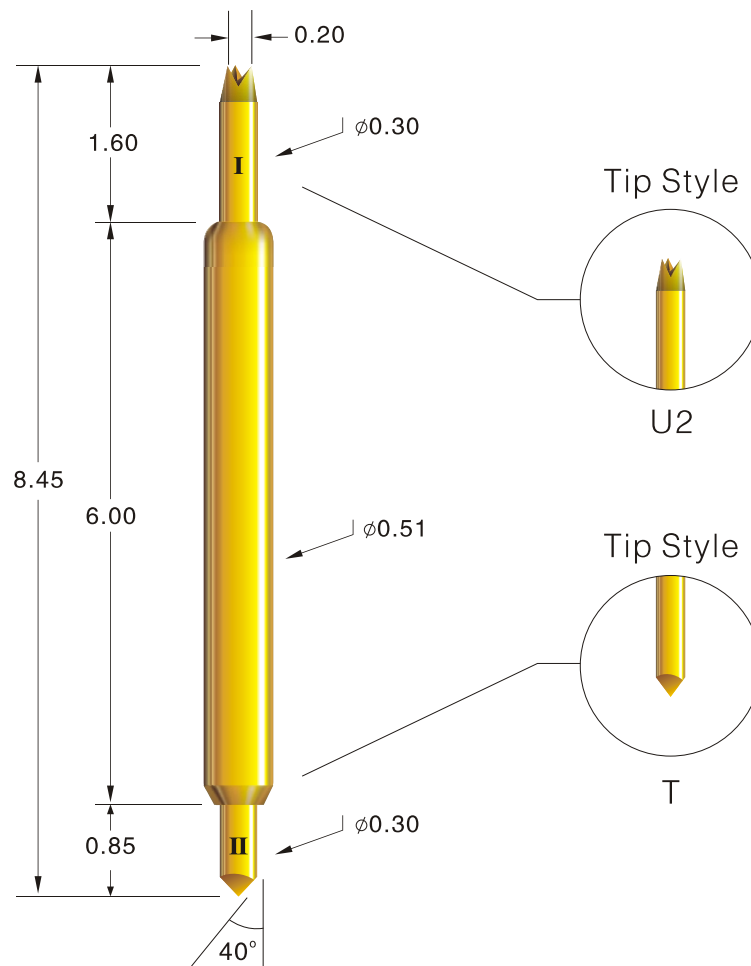


Pitch 0.65mm **MHCP051-(60)TU2-85-G**



**Mechanical Spec.**

Full Stroke	1.95mm
Rated Stroke	1.20mm
Spring Force	32gf @ Load 1.20mm

**Electrical Spec.**

Current Rating	1 A, Continuous
Bandwidth	3.20GHz @ - 1dB
Propagation Delay	42ps

**Materials**

Barrel	Phosphor Bronze , Gold Plated.
Plunger	Full-Hard Beryllium Copper. Gold Plated.
Spring	Music Wire, Gold Plated.

**HOW TO ORDER :MHCP051(60)-TU2-85-G**

a b c d e g

- a, Series
- b, Size
- c, Tip Style II
- d, Tip Style I
- e, Total Length
- g, Plating