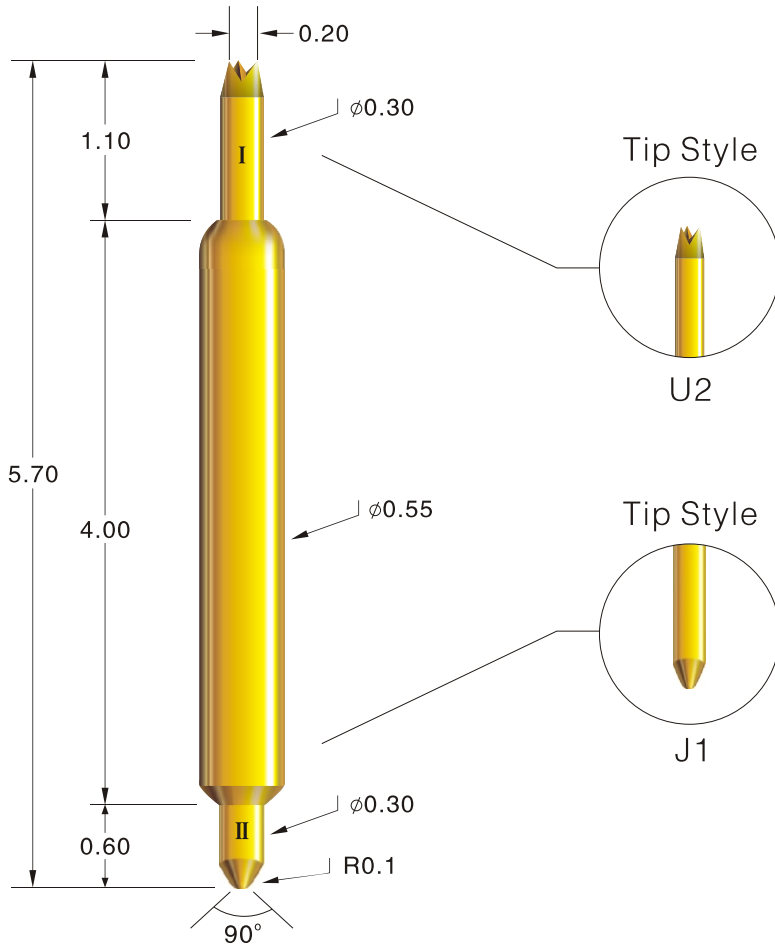


Pitch 0.70mm

MHCP055-J1U2-57-G



Mechanical Spec.

Full Stroke	0.80mm
Rated Stroke	0.65mm
Spring Force	30gf @ Load 0.65mm

Electrical Spec.

Current Rating	1 A, Continuous
Bandwidth	6.52GHz @ - 1dB
Propagation Delay	25ps

Materials

Barrel	Phosphor Bronze , Gold Plated.
Plunger	Full-Hard Beryllium Copper. Gold Plated.
Spring	Music Wire, Gold Plated.

HOW TO ORDER : MHCP055-J1U2-57-G

a b c d e g

- a, Series
- b, Size
- c, Tip Style II
- d, Tip Style I
- e, Total Length
- g, Plating